

PAMS Technical Documentation NPM-9 Series Transceivers

General Information



CONTENTS

The Product 3
 Handportable 3
 Desktop Option 4
 Full Car Kit CARK132 Option 5
Product and Module List 6
General Specifications of Transceiver NPM-9 7

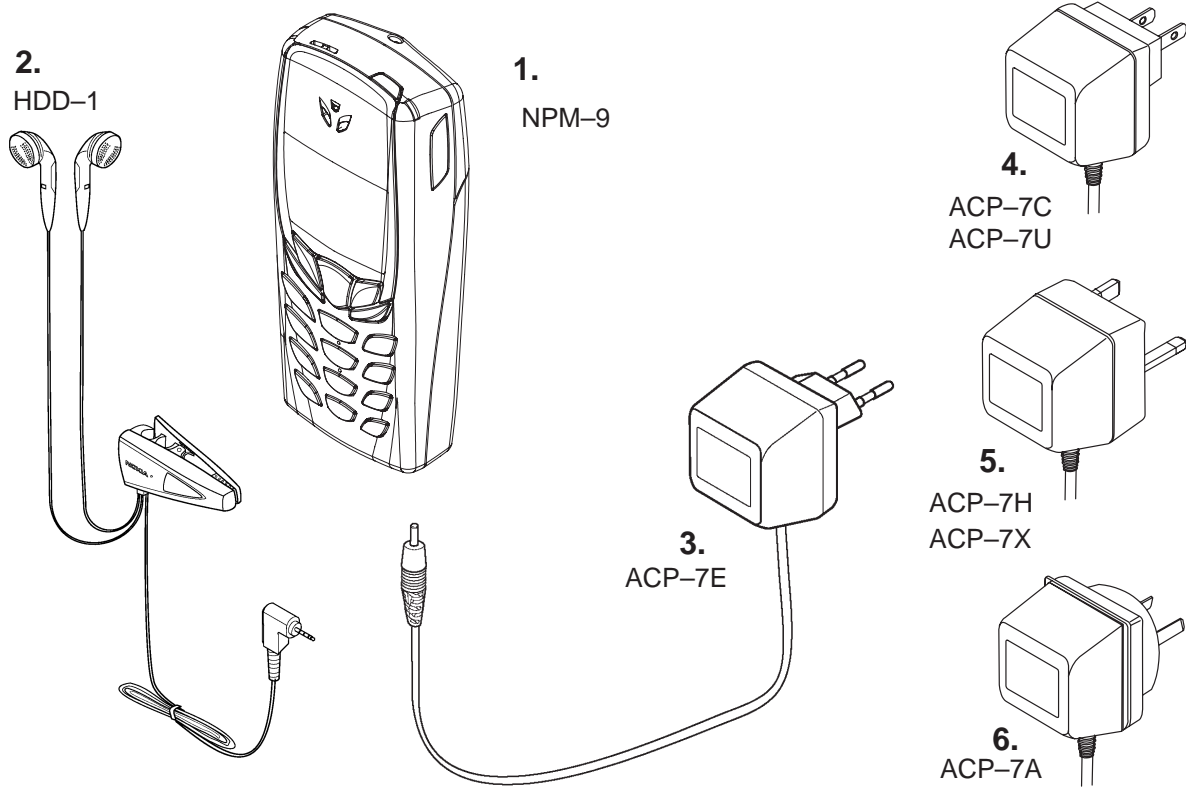
The Product

The NPM-9 is a dual band handportable mobile telephone for the E-GSM 900 and GSM1800 networks. It is both GSM900 phase 2 power class 4 transceiver (2W) and GSM1800 power class 1 (1W) transceiver.

The main transceiver features are:

- Integrated FM radio
- GPRS
- Internal vibra
- Plug-in SIM card below the back cover of the phone
- Back mounted antenna (no connection for external antenna)
- Jack style UI with two soft keys
- Full graphic display
- Integrated IR link & internal data
- Plug & play HF support

Handportable



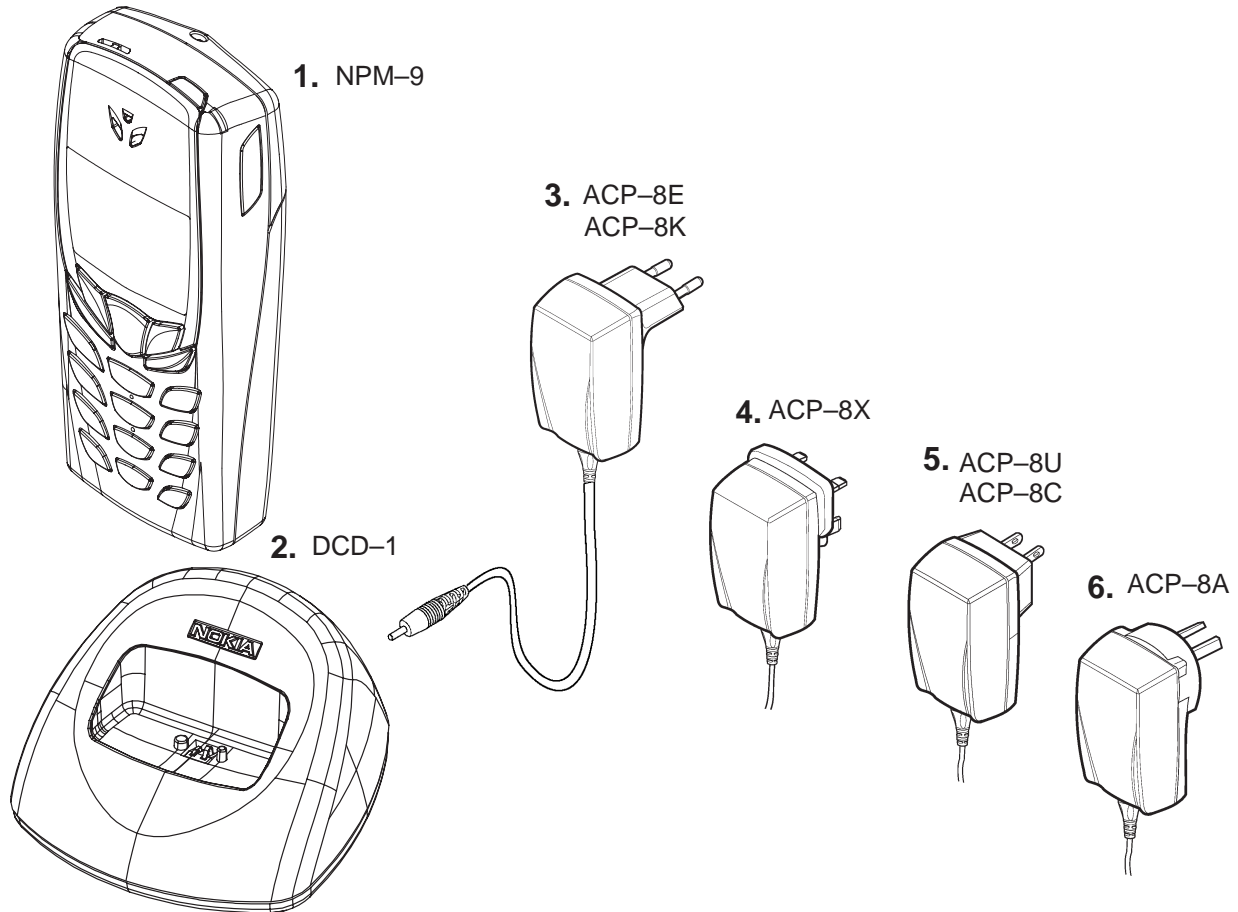
Item Name:

Type code:

1.	Transceiver Standard battery Li-ion	See Product Variants BLB-2
2.	Headset	HDD-1
3.	Standard Charger (Euro plug) 207-253 Vac	ACP-7E
4.	Standard Charger (US plug) 108-132 Vac Standard Charger (US plug) 198-242 Vac	ACP-7U ACP-7C
5.	Standard Charger (UK plug) 207-253 Vac Standard Charger (UK plug) 180-220 Vac	ACP-7X ACP-7H
6.	Standard Charger (Australia) 216-264 Vac	ACP-7A

Desktop Option

The desktop option allows the user to charge the phone from the mains. Besides these optional chargers also ACP-7 can be used.



Item Name:

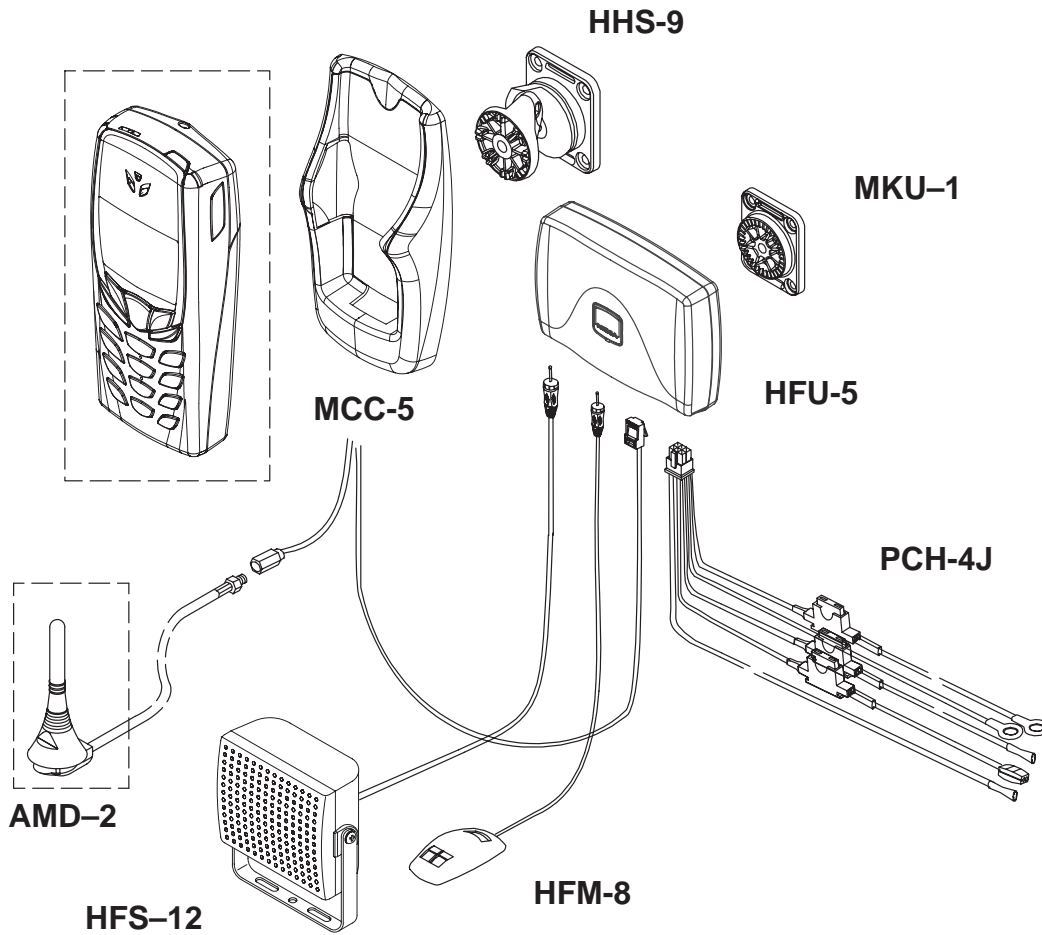
Type code:

1. Transceiver	See Product Variants
2. Desk Stand	DCD-1
3. Travel Charger Euro plug 90-264 Vac	ACP-8E
Travel Charger Korea plug 90-264 Vac	ACP-8K
4. Travel Charger UK plug 90-264 Vac	ACP-8X
5. Travel Charger US plug 90-264 Vac	ACP-8U
Travel Charger China plug 90-264 Vac	ACP-8C
6. Travel Charger Australia plug 90-264 Vac	ACP-8A

Full Car Kit CARK132 Option

The CARK132 includes the following parts:

Advanced Active Car Holder	MCC-5
Advanced HF Unit	HFU-5
Power Cable	PCH-4J
Mounting Plate	MKU-1
Swivel Mount	HHS-9
HF Microphone	HFM-8
HF Speaker	HFS-12



Please, note that the items enclosed in broken-line (phone & antenna) are not supplied with CARK132. The external antenna AMD-2 is recommended.

Product and Module List

Unit/type:
NPM-9 Transceiver
BLB-2 Standard Battery Li-ion
ACP-7E Standard Charger (EUR) 207-253 Vac
ACP-7U Standard Charger (US) 108-132 Vac
ACP-7C Standard Charger (US) 198-242 Vac
ACP-7X Standard Charger (UK) 207-253 Vac
ACP-7H Standard Charger (UK) 180-220 Vac
ACP-7A Standard Charger (AUS) 216-264 Vac
ACP-8E Travel Charger (EUR) 90-264 Vac
ACP-8K Travel Charger (Korea) 90-264 Vac
ACP-8X Travel Charger (UK) 90-264 Vac
ACP-8U Travel Charger (US) 90-264 Vac
ACP-8C Travel Charger (China) 90-264 Vac
ACP-8A Travel Charger (Australia) 90-264 Vac
LCH-9 Mobile Charger
PPH-1 Plug-in HF Car Kit
MBD-10 Mobile Holder
MKU-1 Mounting Plate
HHS-9 Swivel Mount
DCD-1 Desktop Stand
DDC-1 Battery Charging Stand
HFM-8 HF Microphone
HDD-1 Headset
HDC-5 Headset
HDE-2 Headset
HDB-5 Boom Headset
LPS-3 Loopset
HFU-5 Advanced HF Unit
MCC-5 Advanced Active Car Holder
PCH-4J Power Cable
HFS-12 HF Speaker

General Specifications of Transceiver NPM-9

Parameter	Unit
Cellular system	GSM900 and GSM1800
RX frequency band	EGSM: 925 ... 935 MHz GSM900 935 ... 960 MHz GSM1800 1805 ... 1880 MHz
TX frequency band	EGSM 880 ... 890 MHz GSM900 890 ... 915 MHz GSM1800 1710 ... 1785 MHz
Output power	GSM900 * +5 ...+33 dBm / 3.2 mW ... 2 W GSM1800 +0 ...+30 dBm / 1.0 mW ... 1 W
Duplex spacing	GSM900 * 45 MHz GSM1800 95 MHz
Number of RF channels	EGSM 50 GSM900 124 GSM1800 374
Channel spacing	200 kHz
Number of TX power levels	GSM900 * 15 GSM1800 16
Sensitivity, static channel	GSM900: -102 dBm GSM1800: -102 dBm (norm. cond. only)
Frequency error, static channel	< 0.1 ppm
RMS phase error	< 5.0 °
Peak phase error	< 20.0 °

*) applies also to EGSM

This page intentionally left blank.